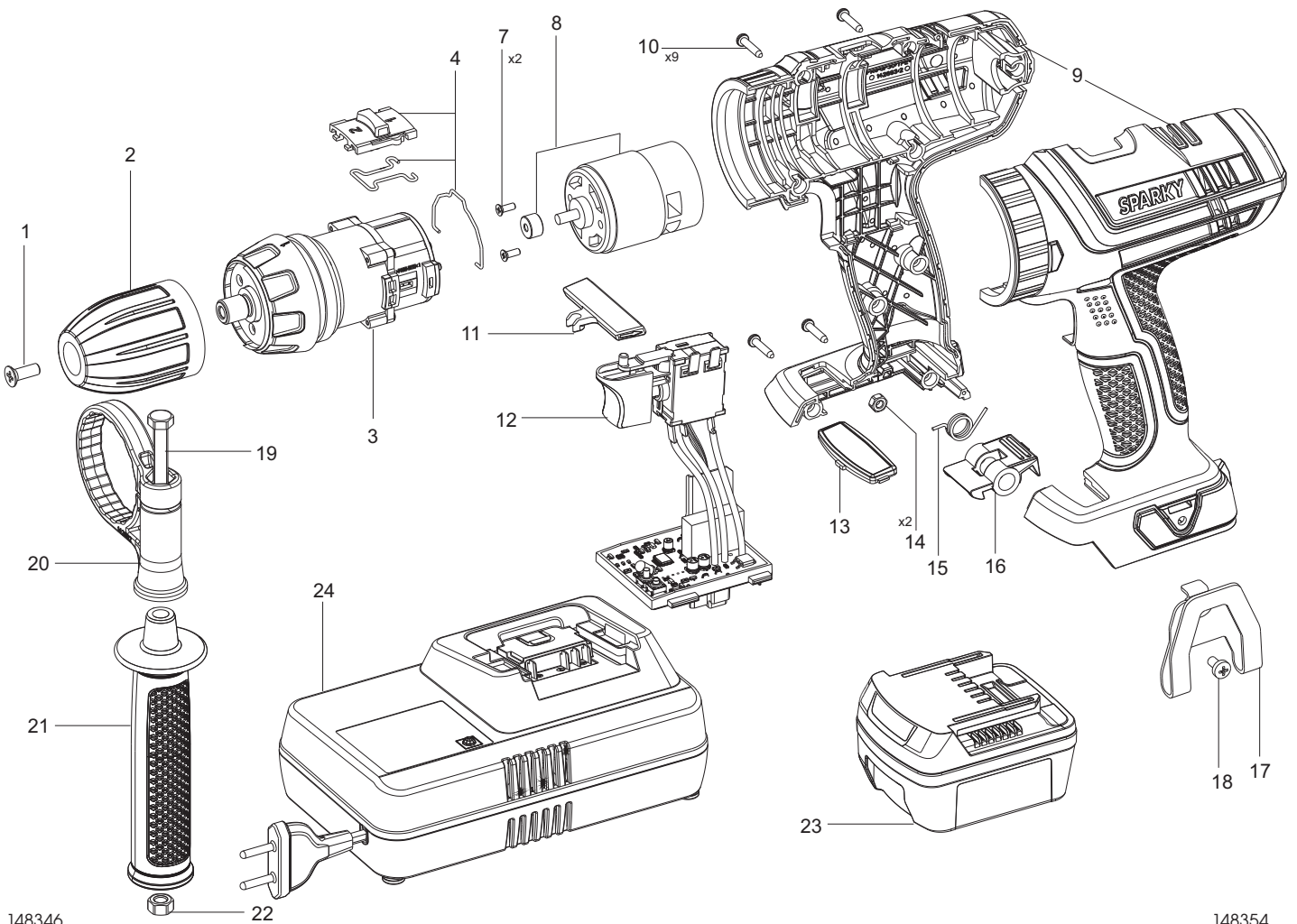


POS. No.	Ref.No.	Description	POS. No.	Ref.No.	Description
----------	---------	-------------	----------	---------	-------------

- 1 360395 Screw M6LHX25 8,8
- 2 148015 Drill Chuck SG130
- 3 146006 Gear box ass'y L_55,44/11,09 /BSP001N 2DDH
- 4 146011 Change Knob Set
- 7 361358 Screw J2-M4x8-8.8
- 8 148453 DC motor sub Ass'y 18V+Pinon
- 9 142692 Casing set
- 10 361303 Screw
- 11 142684 Reverse knob
- 12 146003 PCB+switch BR2 18Li HD
- 13 148362 Screen BUR2 15/18Li HD
- 14 360149 Nut M4
- 15 142686 Spring
- 16 142685 Lock button
- 17 142681 Bracket
- 18 361358 Screw J2-M4x8-8.8
- 19 361414 Bolt D2 M8x85
- 20 142662 Console
- 21 142661 Base of handle
- 22 360173 Nut M8
- 23 148363 Battery pack ass'y BL 1840
- 24 148367 Charger.ass'y/EU (12-18V/1,5-3Ah)Li



148346

148354